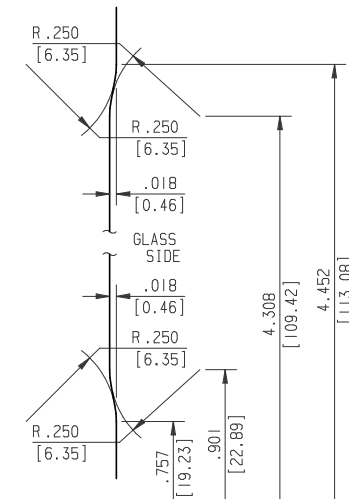
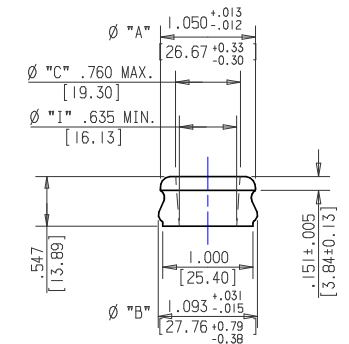
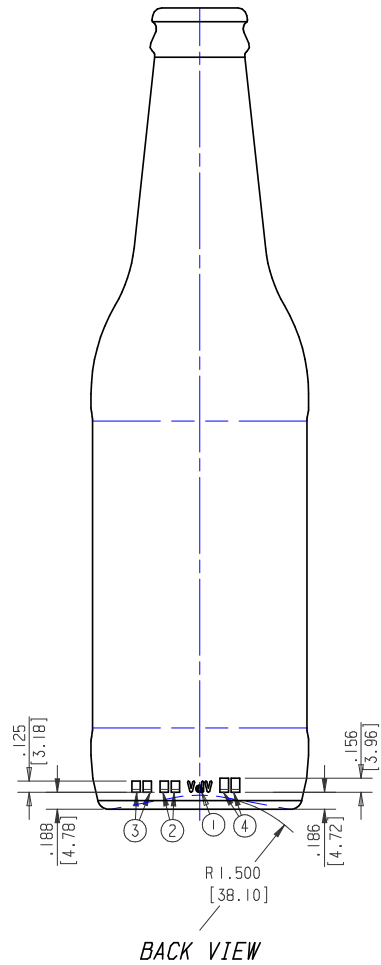
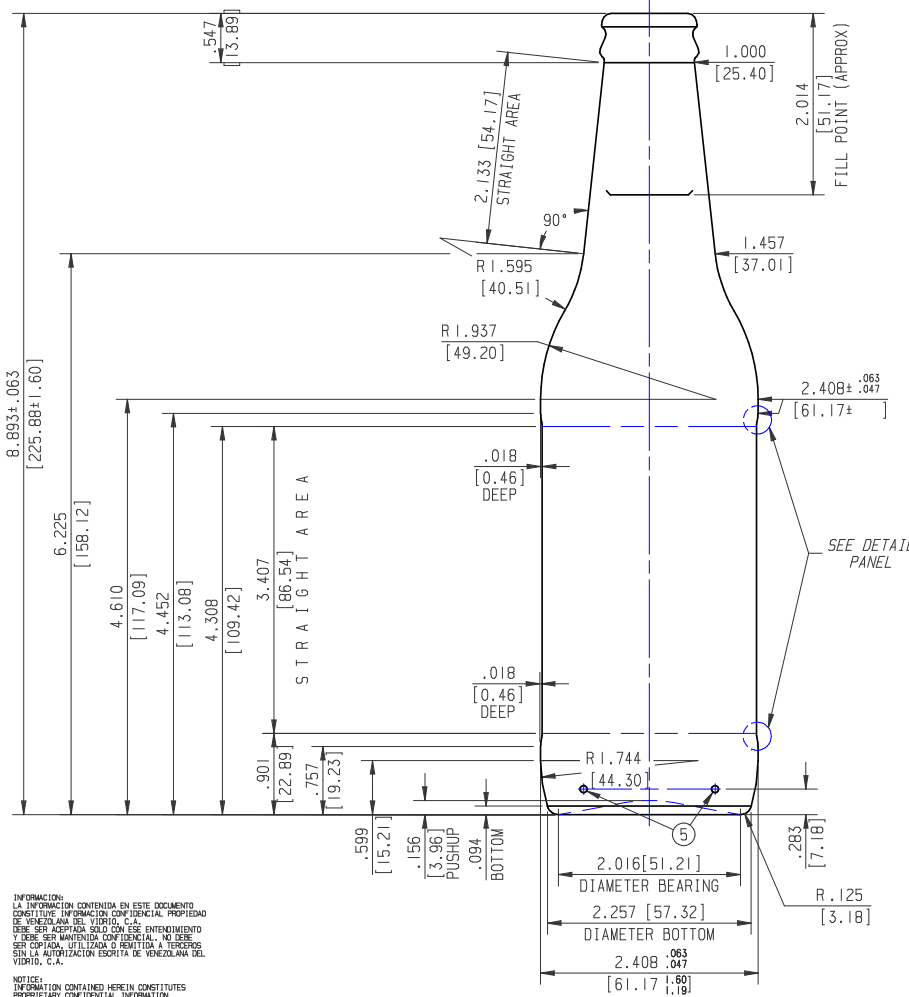


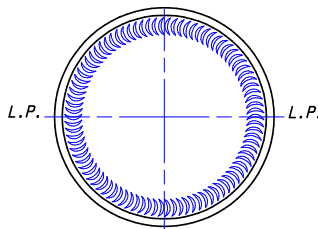
FINISH 026-0650-R011

NOTAS-NOTES



INFORMATION:
LA INFORMACION CONTENIDA EN ESTE DOCUMENTO
CONSTITUYE INFORMACION CONFIDENCIAL PROPIEDAD
DE VENEZOLANA DEL VIDRIO, C.A.
Y DEBE SER MANTENIDA CONFIDENCIAL, NO DEBE
SER COPIADA, UTILIZADA O REPRODUCIDA SIN LA
AUTORIZACION ESCRITA DE VENEZOLANA DEL
VIDRIO, C.A.

NOTICE:
INFORMATION CONTAINED HEREIN CONSTITUTES
PROPRIETARY CONFIDENTIAL INFORMATION
OF VENEZOLANA DEL VIDRIO, C.A.
AND IS TO BE KEPT CONFIDENTIAL, IT IS TO BE KEPT CONFIDENTIAL
AND NOT TO BE COPIED, USED OR CONVERTED TO
OTHERS WITHOUT WRITTEN AUTHORIZATION OF
VENEZOLANA DEL VIDRIO,
C.A. WRITTEN AUTHORIZATION.



APPROX. STABILITY PROPERTIES	
CENTER GRAVITY (mm)	86.43
BOTTLE STABILITY RATIO	0.59
TIP ANGLE (IN DEGREES)	16.50
DIAMETER BEARING (mm)	51.21

**ADVERTENCIA
WARNING**

ESPECIFICACIONES SON TENTATIVAS
PESO DEL VIDRIO, PTO. DE LLENADO
Y DIMENSIONES FINALES SERAN ESTABLECIDAS EN LA PRIMERA PRODUCCION.

SPECIFICATIONS ARE TENTATIVE
WEIGHT OF GLASS, PTO. FILLING FINAL
DIMENSIONS WILL BE ESTABLISHED IN
THE FIRST PRODUCTION.


- LOGO DE PLANTA N:3, ALT. .125" [3.18]
TRADEMARK N:3.125" [3.18] HT.
- FECHA ANUAL ALT. .125" [3.18]
YEAR DATE .125" [3.18] HT.
- SERIAL DE PLANTA "LG/VL" ALT. .125" [3.18]
PLANTA SERIAL "VL" .125" [3.18] HT.
- NUMERO DE CAVIDAD ALT. .156" [3.96]
CAVITY NUMBER .156" [3.96] HT.
- PUNTOS C.I.D. III SEGUN GS-217 DEBEN APARECER EN EL TALON COMO SE MUESTRA.
C.I.D. III DOTS PER GS-217 TO APPEAR ON THE HEEL AS SHOWN.
- LETRAS Y NUMEROS DEL TALON DEBEN APARECER COMO SE MUESTRA Y EN ESTILO PUNTA REDONDA, .006" [0.15] PROF. x .022" [0.56] ANCHO.
LETTERS & NUMBERS ON HEEL TO APPEAR AS SHOWN AROUND BOTTOM STYLE, .006" [0.15] DEPTH x .022" [0.56] WIDE.
- CRESCENTS N-9 DEBEN CUBRIR LA SUPERFICIE DE APOYO COMO SE MUESTRA.
N-9 CRESCENTS TO APPEAR ON BEARING SURFACE AS SHOWN.
- COLOR DE VIDRIO: FLINT/AMBAR
GLASS COLOR: FLINT/AMBER
- PROCESOS DE FABRICACION: BLOW & BLOW (ENHANCED) Y PRESS & BLOW (NNPB).
MANUFACTURING PROCESSES: BLOW & BLOW (ENHANCED) AND PRESS & BLOW (NNPB).

FINISH DETAIL
026-0650-R011

PANEL DETAIL
SCALE 4 TO 1

N°	REVISION	DATE	INIT.	REV.

DRAWING: NRO. VE0683			MOLD N° : GBV-2175		
DATE: 27-OCT-2015			CLIENT: INTERBERVERAGE		
SCALE: 1=1			DESCRIPTION: CERVEZA 12oz N/R		
DRAWING: MENDOZA D.			FULL CAPACITY: 378.00ml ± 5.55ml 12.810oz ± .188oz		
VERIFY:			CAPACITY: 355.00ml ± 5.55ml 12.004oz ± .188oz		
APPROVED:			WEIGHT: 216.60g ± 8.86g 7.639oz ± .313oz		
PROJECT: N°: REF. 6BV-2005			DIMENSIONS IN MILLIMETERS SHOWN ()		

DEPARTAMENTO DE DISEÑO Y ESPECIFICACIONES	
LOS GUAYOS-EDO-CARABOBO	
	
Venezolana del Vidrio	